



Infini**tree**
UNIQUE. OUTDOOR. LIVING.



Designed just for your spa. Create the outdoor living space you always wanted.

Designed specifically for the 10-foot space around your spa, the Spa Living Collection is available in two neutral tones to complement any spa brand and cabinet color. Woodland Oak brings a rich brown tone, while Weathered Teak offers an elegant silver-grey shade.

The line-up can easily be configured to fit your own space and makes your spa the centerpiece of both entertainment and relaxation. Built to the highest quality standards in outdoor furniture, these all-weather pieces will transform your spa into the ultimate outdoor living space.

Stainless hardware throughout



Designed in Canada

Functional towel hooks/bars throughout



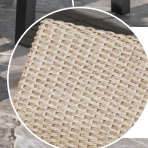
World's most realistic synthetic wood



Powder coated aluminum for strength and durability



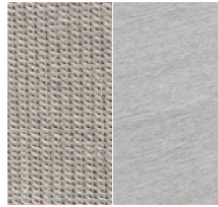
Beautiful dimensional resin wicker



COLOR OPTIONS



Woodland Oak



Weathered Teak

I'M GONNA LOVE YOU
COME RAIN OR COME SHINE



OUR QUALITY
RUNS DEEP

...in our history

Over a decade supplying the biggest names in the spa industry with innovative and beautiful synthetic wood spa cabinets

...in the materials that we use

Aluminum resort-grade welded frames. Heat treated powder coated color.
Luxury weave dimensional resin wicker. Proprietary synthetic wood

...in our warranty

Backed by an industry-leading manufacturers warranty warranty for complete peace of mind

RESIDENTIAL USE - LIMITED WARRANTY

This warranty is valid in North America for product sold through authorized dealers. This limited manufacturer's warranty is extended by Infitree, Inc. of Oakville, Canada to the original purchaser and guarantees against manufacturing defects in the product.

Aluminum frame - 10 years: If the frame or welds break within ten years of purchase, we will (at our own discretion) repair or replace the frame with a matching style/color where available. If an entire replacement is required and the original style and color are no longer sold, Infitree will replace with a similar item.

Powder coating finish - 4 years: If the paint coating cracks, blisters or peels within four years of purchase, Infitree will (at our own discretion) repair or replace the frame with a matching style/color where available. If an entire replacement is required and the original style and color are no longer sold, Infitree will replace with a similar item.

Resin wicker & synthetic wood - 3 years: If within three years, a resin wicker/synthetic wood component breaks or fades excessively, or the wicker unravels Infitree will (at our own discretion) repair or replace the component/item with a matching style/color where available. If an entire replacement is required and the original style and color are no longer sold, Infitree will replace with a similar item.

Component parts & moving parts - 1 year: If a component part fails due to any manufacturing defect within one year of purchase, Infitree will (at our own discretion) repair or replace the component/item with a matching style/color where available. If an entire replacement is required and the original style and color are no longer sold, Infitree will replace with a similar item.

Exclusions: Failures caused by misuse, unreasonable or abusive use (including use in a commercial/non-residential setting) are not covered by this warranty. Damage caused by acts of nature, including but not limited to fire, freezing water, high winds and/or any extreme climate conditions are not covered. Damage from suntan oils, skincare products, bug sprays and other chemicals, scratching or chipping to the finish and normal weathering or fading of the materials are excluded. Any failure resulting from incorrect assembly of the products is not covered by this warranty. Infitree reserves the right to discontinue colors and components at any time and there is no guarantee that matching replacement components/pieces will be available.

Shipping & Returns: Infitree will pay for shipping and/or returns of any product that is deemed to be defective and under warranty coverage for a period of two (2) years. If the product/component in question is covered for a period of less than two years, Infitree will cover the cost of shipping during the warranty coverage period of that component.

Original proof of purchase is required for any claim made and we therefore recommend that the purchaser work directly with the authorized Infitree dealer that supplied the product to submit a claim. The purchaser/dealer should provide digital photographs to clearly show the issue. Infitree will, possibly with the assistance of the authorized retailer, review the claim carefully. If the claim is approved, Infitree will provide a Return Goods Authorization (RGA) number which should be clearly attached to each piece of furniture inside the box and marked clearly on the outside of each box returned.

VAIL BAR CHAIR



SKU# SL0003BRW
"Woodland Oak"



SKU# SL0004GRY
"Weathered Teak"

REFINED STYLING AND EXTREME COMFORT.
PAIR WITH TAHOE TABLE OR BANFF BAR SHELF.
(SOLD IN PAIRS)

Product Features & Benefits



Wrap-around arms
for elevated comfort
& styling



A wide seat & excellent
support for all day
comfort



Our synthetic wood
arms and curved wicker



Detailed finish in
foot rest

Product Dimensions



ASPEN BAR STOOL



SKU# SL0001BRW
"Woodland Oak"



SKU# SL0002GRY
"Weathered Teak"

CLEAN LINES AND BEAUTIFUL DETAILS.
PAIR WITH TAHOE TABLE OR BANFF BAR SHELF.
(SOLD IN PAIRS)

Product Features & Benefits



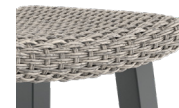
Contoured seat for added comfort



Resort grade aluminum frame



Infinitree select footrest that match your spa



Rattan inspired hand woven seat

Product Dimensions



FRONT VIEW



SIDE VIEW

TAHOE DINING TABLE



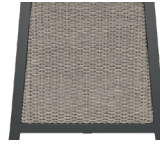
SKU# SL0005BRW
"Woodland Oak"



SKU# SL0006GRY
"Weathered Teak"

PERFECT SPA-SIDE DINING OPTION WITH INTEGRATED TOWEL BARS. PAIR WITH VAIL OR ASPEN SEATING.

Product Features & Benefits



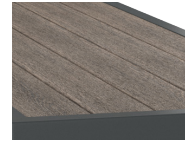
Ratan inspired hand woven panel



Built in towel bars to hang-dry your wet towels

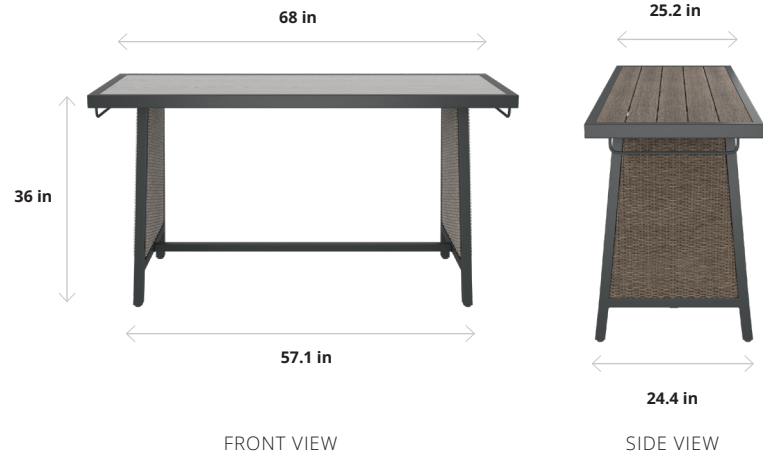


Resort grade aluminum frame



Infinittree Select tabletop for realistic wood finish

Product Dimensions



WHISTLER TOWEL BAR



SKU# SL0007BRW
"Woodland Oak"



SKU# SL0008GRY
"Weathered Teak"

ELEGANCE & FUNCTION COMBINE. PERFECT FOR SPA-SIDE TOWELS. INTEGRATED TOWEL HOOKS.

Product Features & Benefits



Storage shelves for towels and all your spa accessories



Resort grade aluminum frame



InfiniTree's all-weather SELECT® slats

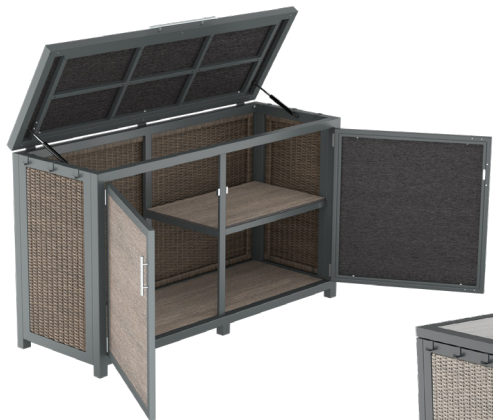


Built in towel hooks

Product Dimensions



TELLURIDE DECK BOX



SKU# SL0009BRW
"Woodland Oak"



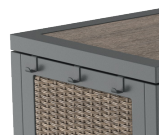
SKU# SL0010GRY
"Weathered Teak"

A PREMIUM DECK BOX LIKE NO OTHER. THE MOST BEAUTIFUL, FUNCTIONAL SPA STORAGE OPTION ON THE MARKET.

Product Features & Benefits



50% Open space
50% shelving



Handy towel hooks



Resin wicker sides
protect but allow
air-flow



Opens from the
front AND top

Product Dimensions

35.8 in



59.9 in

FRONT VIEW



21.1 in

SIDE VIEW

BANFF SPA SCREEN/ BAR SHELF



FOLDS



SKU# SL0011BRW
"Woodland Oak"

FOLDS



SKU# SL0012GRY
"Weathered Teak"

Product Features & Benefits



Folding panels
for privacy



Legs extend under the
spa for a strong base

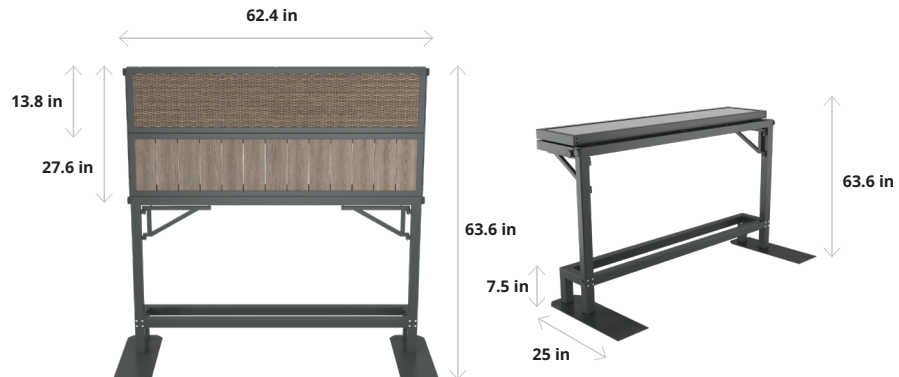


Bar allows spa-side
dining & entertaining



Folds down flat against
the spa cabinet when
not in use

Product Dimensions



FRONT VIEW

SIDE VIEW

THIS INNOVATIVE PRODUCT OFFERS PRIVACY WHEN YOU NEED IT, OR FOLDS INTO A STURDY BAR SHELF FOR SPA-SIDE ENTERTAINING



Infini**tree**
UNIQUE. OUTDOOR. LIVING.