

EVOLUTION

Pre-Delivery Guide

Preparing the way
for your new Covana spa cover



EVOLUTION spa cover



No limit to cover your hot tub!

Thanks to its modularity, the Evolution cover is compatible with most large and round hot tubs.

In this Pre-Delivery Guide:

Spa compatibility	3
Color options	4
Retractable shades	5
Choosing the perfect location	6
Laying the right foundation.....	7
Electrical specifications	8
Planning the delivery.....	9
Notes	11

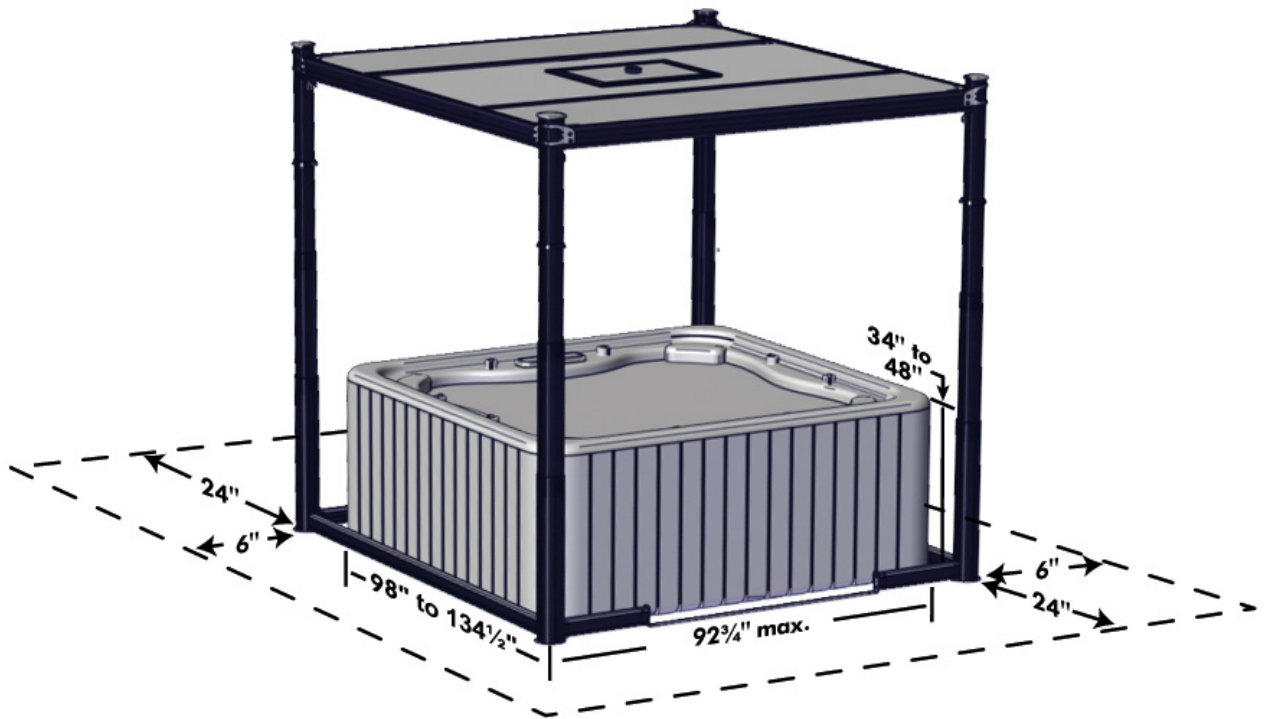
*Less effort, more comfort for a longer time:
A promise signed Covana.*

Spa compatibility



Most square, rectangular, or round hot tubs with a **flat surface (no protruding headrests)** of up to 93" x 134½" (236 cm x 342 cm) with a height between 34" and 48" (86 cm and 122 cm).

The dimensions of the Evolution models are illustrated below. The dashed line dimensions include the recommended clearance for maintenance. The entrance of the spa will always be placed on the width side.



Refer to the table below to choose the appropriate model according to the dimensions of your spa. If you don't know which model to choose, or if you are unsure whether your spa will fit under the cover or not, please contact Covana for the Technical Support department: 1-877-278-8010.

EVOLUTION LENGTH	SPA MAXIMUM WIDTH	SPA MAXIMUM LENGTH	<input checked="" type="checkbox"/>
8 ft (2.44 m)	92¾" (236 cm)	98" (249 cm)	
9 ft (2.74 m)	92¾" (236 cm)	110½" (281 cm)	
10 ft (3.05 m)	92¾" (236 cm)	122½" (311 cm)	
11 ft (3.35 m)	92¾" (236 cm)	134½" (342 cm)	

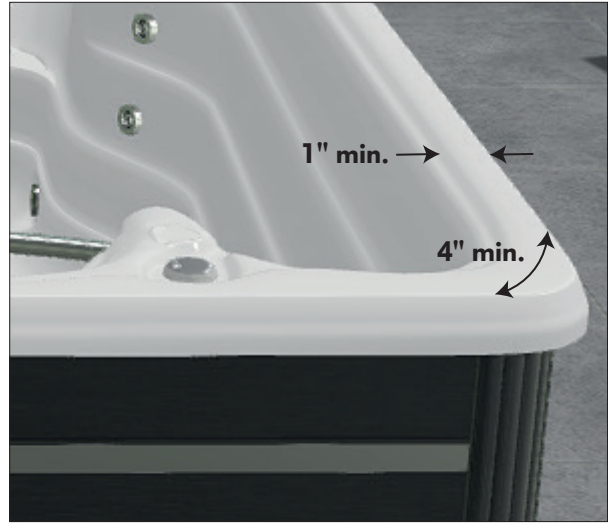


* For spas of **maximum length and width**, the ground clearance height and the corner radius must be **at least 4" (10 cm)**.

Spa compatibility (continued)



The seal of the cover will have to be installed on a flat surface of at least 1" (2.5 cm) wide, on the acrylic of the spa. The minimum turn radius of the seal is 4" (10 cm). Ensure the seal will be able to go all around the spa while continuously touching the cover.



No protruding headrests



Color options



For a slight extra on the price of the regular white panel, this option allows you to better match the color of your Covana with your environment. A little detail that can make a big difference.

Customize your cover by choosing between the following options:

(Actual colors may vary from images shown.)



Mocha

Latte White

Slate

Platinum White

COLORS	<input checked="" type="checkbox"/>
Mocha/Latte	
Mocha/White	
Slate/Platinum	
Slate/White	

Retractable shades



The shades provide additional protection from the wind and harsh elements. Most importantly they provide coveted privacy from curious onlookers.



ISLAND	<input checked="" type="checkbox"/>
Width side	
Length side (8 ft / 2.44 m only)	



ZEN	<input checked="" type="checkbox"/>
Width side	
Length side (8 ft / 2.44 m only)	



SUNSCREEN	<input checked="" type="checkbox"/>
Length side	
Width side	



OPAQUE MOCHA TOP GUN	<input checked="" type="checkbox"/>	
8 FT (2.44 M)	Length side	
	Width side	
9 TO 11 FT (2.74 M TO 3.35 M)	Length side	
	Width side	

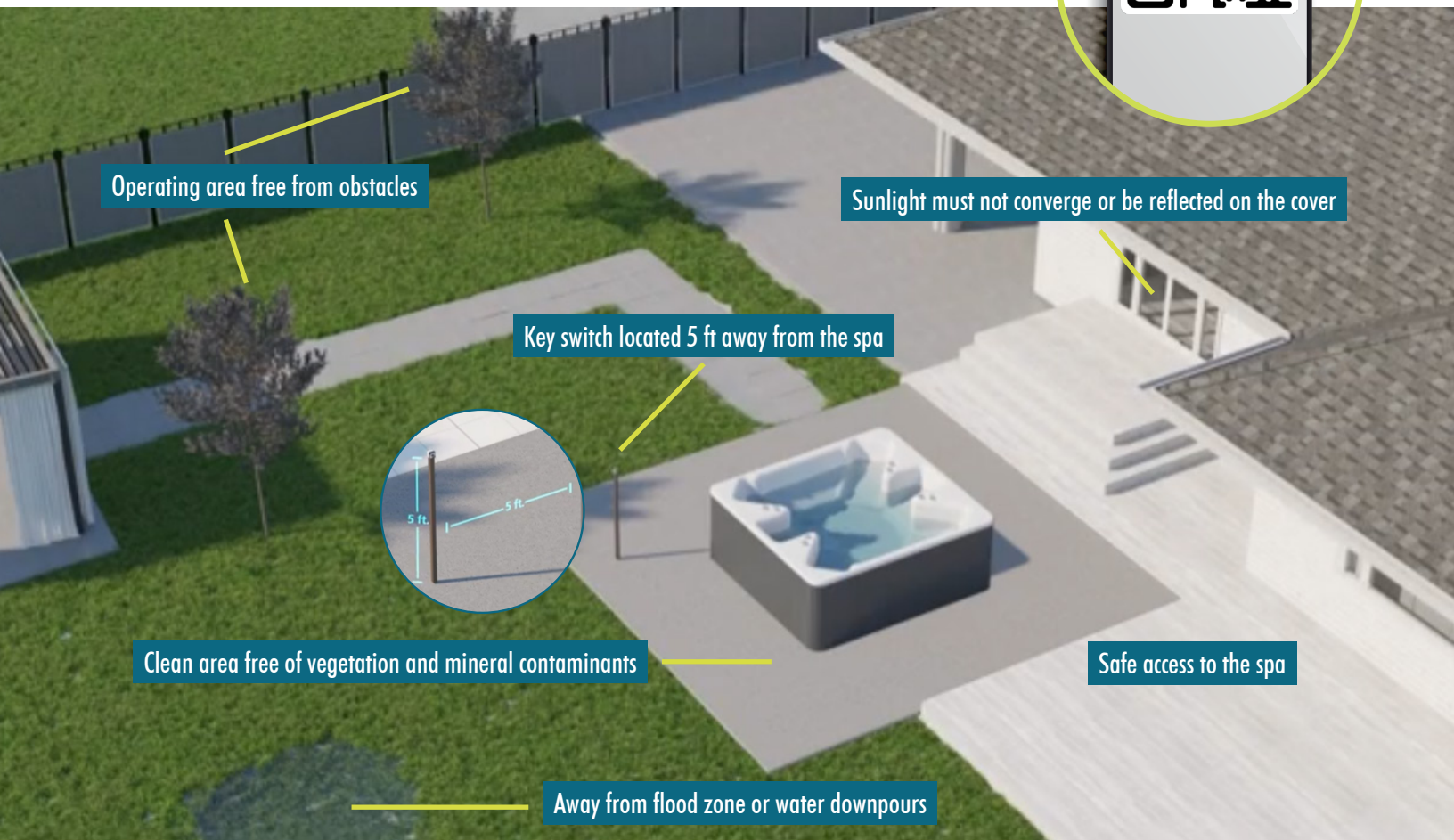


OPAQUE SLATE TOP GUN	<input checked="" type="checkbox"/>	
8 FT (2.44 M)	Length side	
	Width side	
9 TO 11 FT (2.74 M TO 3.35 M)	Length side	
	Width side	

Choosing the perfect location

- The Covana cover can be installed either indoors or outdoors.
- Away from flood zone, water downpours or debris falling.
- Wind speed should not exceed 30 mph (50 km/h) in the raised position.
- Operating area must be free from obstacles, i.e., branches or electrical power lines.
- Allow for safe access to the spa, free of obstacles or debris.
- Sunlight must not converge or be directly reflected on the cover such as the reflection from a window.
- The installation area must be clean and free of any vegetation (i.e., grass, branches, roots) and mineral contaminants (i.e., rocks, dust, sand).
- The key switch must be permanently mounted and located 5 ft (1.5 m) away from the spa and 5 ft (1.5 m) above the deck or ground level in a location where no water downpour or debris could fall on it.
- The user must have a clear view of the cover when operating it (25 ft / 7.6 m cable).

SCAN ME!

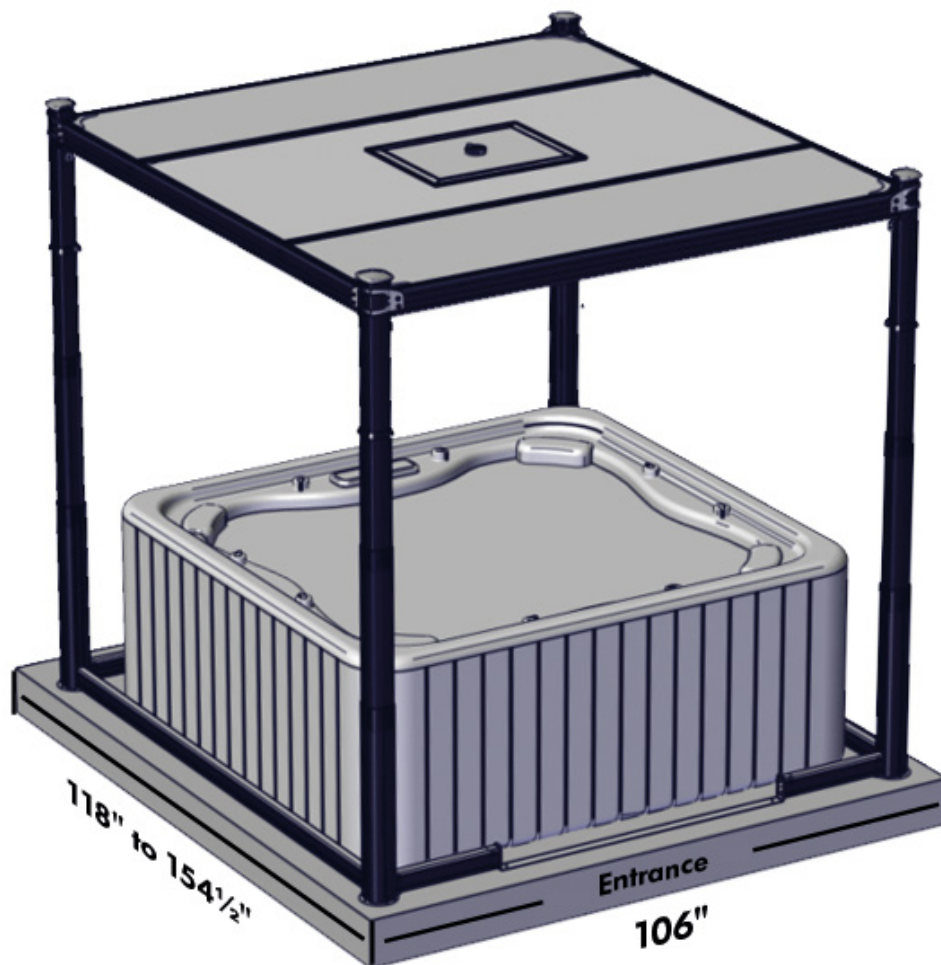


Laying the right foundation

- A clean, flat and level surface such as an engineered wood deck or a concrete slab is needed.
- The foundation must be able to support at least 600 lb (272 kg).
- Any water accumulating around the cover will have to be drained.
- Allow for at least 24" (60 cm) of clearance for maintenance on the motor and entrance sides, and 6" (15 cm) on the other sides.
- The four jacks will have to be properly anchored to the foundation (anchors not included).

MINIMUM BASE SIZE

Contact Covana if the foundation is already in place and its dimensions are smaller than those illustrated below.



Electrical specifications

- All electrical work should be done by a certified electrician, otherwise the certification and warranty will be void.
- The cover must be installed in accordance with and comply with all applicable local codes and regulations.
- Wires and conduits should be sized according to local codes and regulations.



The cover requires a dedicated single-phase 115 VAC (North America) or 230 VAC (Australia/Europe/New-Zealand) hard-wired power supply.

North American requirements

Voltage	115 V, 60 Hz (1 hot, 1 neutral, 1 ground)
GFCI	15 A single-pole GFCI (not included)
Current draw	Max 12 A

Australian/European/New-Zealand requirements

Voltage	230 V, 50 Hz (2 phases, 1 ground)
GFCI	10 A single-pole GFCI (not included)
Current draw	Max 6 A

INSTALLATION LOCATION	<input checked="" type="checkbox"/>
Australia/Europe/New Zealand	<input type="checkbox"/>
North America	<input type="checkbox"/>

Planning the delivery



The Evolution cover will be delivered in a wooden crate. Take the time to sketch out a simple map from the delivery point to the installation point for the delivery personnel. You can also disassemble the unit from the crate at the delivery point and move the parts by hand.

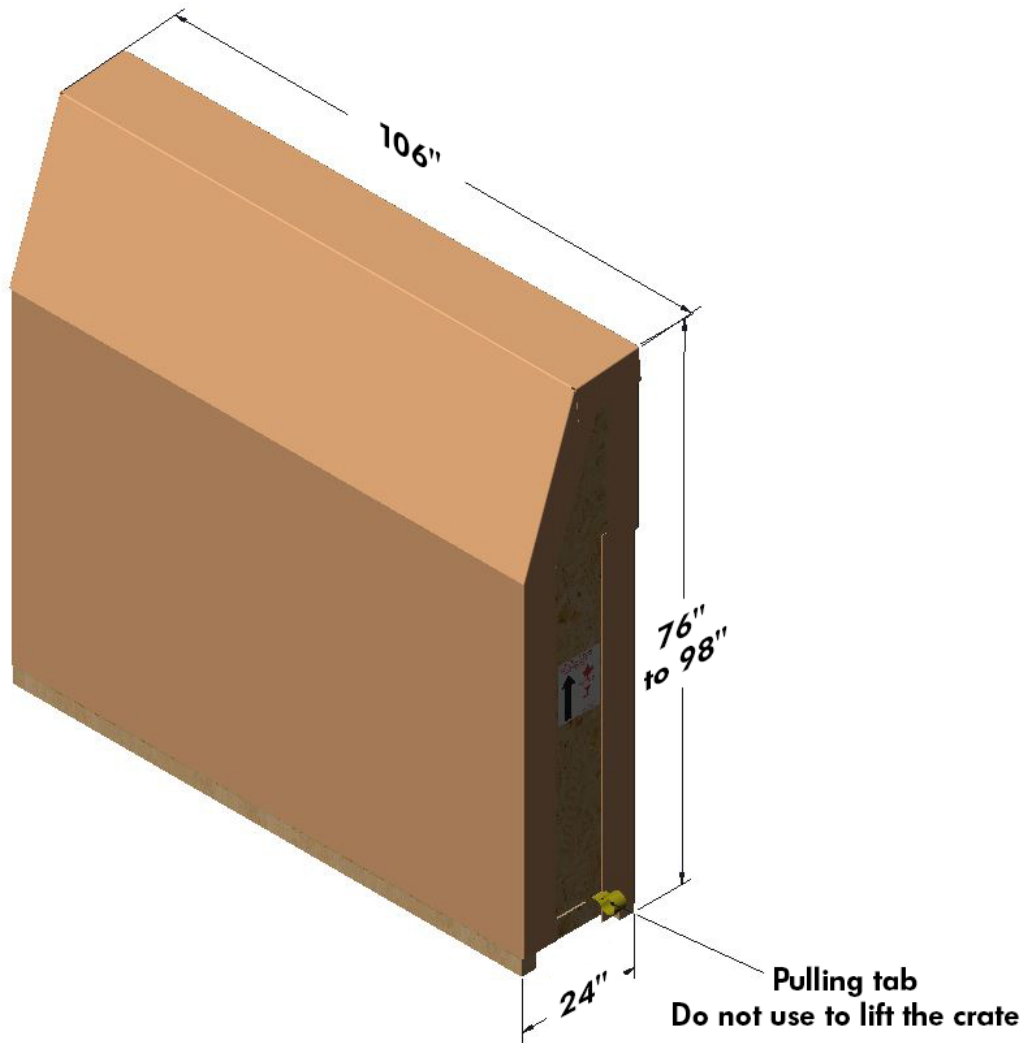
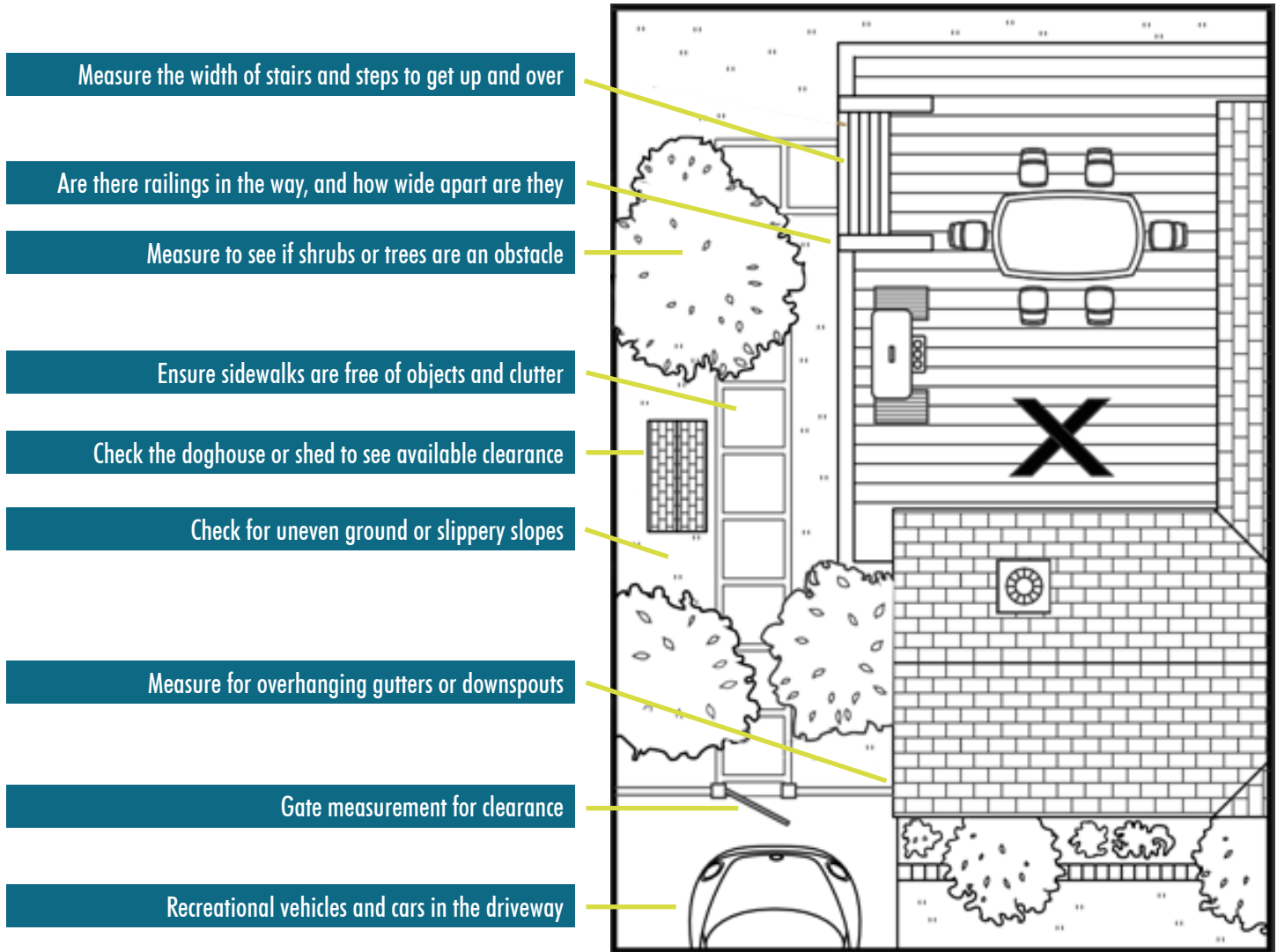


Image and approximate dimensions for reference only.

Planning the delivery (continued)

Use this simple checklist to plan the delivery route.



Measure the width of stairs and steps to get up and over

Are there railings in the way, and how wide apart are they

Measure to see if shrubs or trees are an obstacle

Ensure sidewalks are free of objects and clutter

Check the doghouse or shed to see available clearance

Check for uneven ground or slippery slopes

Measure for overhanging gutters or downspouts

Gate measurement for clearance

Recreational vehicles and cars in the driveway

- automobiles / recreational vehicles
- gutter / fascia / soffit overhang
- electrical / gas meter equipment
- doghouse / playhouse
- stairs / steps / railings
- uneven ground
- slippery slope or path

- trees / foliage / shrubs
- patio furniture / deck chairs
- fences or narrow gates
- gravel, rocks or wood piles
- adequate access to wood decks
- door openings (if applicable)
- sheds or built-in structures



Your heaven of relaxation and privacy

The manufacturing process and the choice of materials lend COVANA products exceptional quality, performance and durability.

Shown with Island shade

For more information, contact Covana* or visit our Web site:

covana.com

info@covana.com

*COVANA is a member of the Canimex Group, committed to excellence since 1969.



247645 Rev. 2